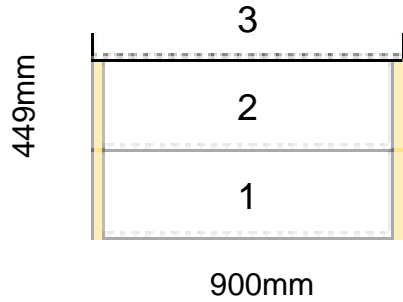


Stair Type:	Straight Staircase
Building Regulations:	UK
Rise:	600mm
Number of Risers:	3
Tread Type:	Closed tread construction
String Material:	32mm Redwood Pine (Furniture Grade)
Tread Material:	22mm MDF Treads
Riser Material:	9mm MDF Risers
Individual Rise:	186.67mm
Going:	220mm
Overall String Width:	900mm
Nosing Style:	Half Round
Assembly:	Assembled
Est. Delivery Date:	from 17 Feb 21 to 19 Feb 21
Reference:	Ground To First

Please note

- 1) Labour must NOT be booked until the staircase is delivered.
- 2) Your staircase will be put into production within 24 hrs of placing this order and will be produced according to this drawing.

Stair Type:	Straight Staircase
Building Regulations:	UK
Rise:	600mm



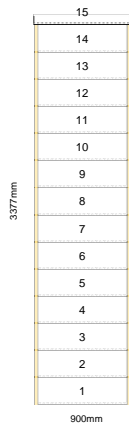
Number of Risers:	3
Tread Type:	Closed tread construction
String Material:	32mm Redwood Pine (Furniture Grade)
Tread Material:	22mm MDF Treads
Riser Material:	9mm MDF Risers
Individual Rise:	186.67mm
Going:	220mm
Overall String Width:	900mm
Nosing Style:	Half Round
Assembly:	Assembled
Est. Delivery Date:	from 17 Feb 21 to 19 Feb 21
Reference:	Ground To First

Please note

- 1) Labour must NOT be booked until the staircase is delivered.
- 2) Your staircase will be put into production within 24 hrs of placing this order and will be produced according to this drawing.



Stair Type:	Straight Staircase
Building Regulations:	UK
Rise:	3250mm
Number of Risers:	15
Tread Type:	Closed tread construction
String Material:	32mm Redwood Pine (Furniture Grade)
Tread Material:	22mm MDF Treads
Riser Material:	9mm MDF Risers
Individual Rise:	216.67mm
Going:	240.63mm
Overall String Width:	900mm
Nosing Style:	Half Round



Assembly:
 Est. Delivery Date:
 Reference:

Assembled
 from 17 Feb 21 to 19 Feb 21
 Ground To First

Please note

- 1) Labour must NOT be booked until the staircase is delivered.
- 2) Your staircase will be put into production within 24 hrs of placing this order and will be produced according to this drawing.



Stair Type:	Double Staircase
Building Regulations:	UK
Number of Treads in Flight One:	2
Turn One Direction:	Right
Number of Treads in Turn One:	3
Number of Treads in Flight Two:	0
Turn Two Direction:	Right
Number of Treads in Turn Two:	3
Number of Treads in Flight Three:	5
Rise:	2925mm
Number of Risers:	14
Tread Type:	Closed tread construction
String Material:	32mm Redwood Pine (Furniture Grade)

Tread Material:	22mm MDF Treads
Riser Material:	9mm MDF Risers
Winder Tread Material:	22mm MDF Treads
Individual Rise:	208.93mm
Going:	232.04mm
Overall String Width:	850mm
Nosing Style:	Half Round
Newel Type:	PSE Newel
Newel Material:	90mm x 90mm Pine
Assembly:	Assembled
Est. Delivery Date:	from 17 Feb 21 to 19 Feb 21
Reference:	First To Second

Please note

- 1) Labour must NOT be booked until the staircase is delivered.
- 2) Your staircase will be put into production within 24 hrs of placing this order and will be produced according to this drawing.