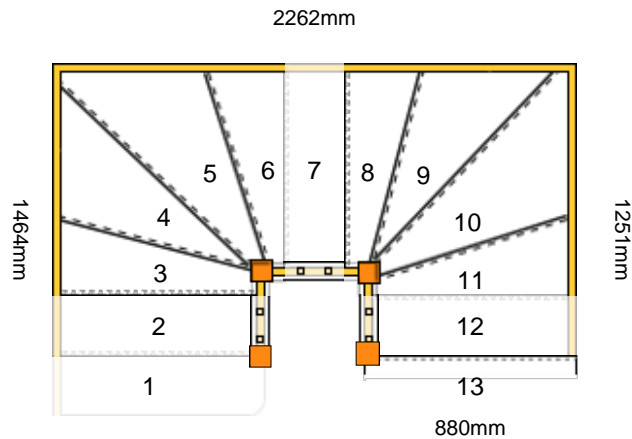


Stair Type:	Double Staircase
Building Regulations:	UK
Number of Treads in Flight One:	2
Turn One Direction:	Right
Number of Treads in Turn One:	4
Number of Treads in Flight Two:	1
Turn Two Direction:	Right
Number of Treads in Turn Two:	4
Number of Treads in Flight Three:	1
Rise:	2600mm
Number of Risers:	13
Tread Type:	Closed tread construction
String Material:	32mm Redwood Pine (Furniture Grade)
Tread Material:	21mm Pine Treads
Riser Material:	9mm Ply Risers
Winder Tread Material:	21mm Pine Treads
Individual Rise:	200mm
Going:	222.12mm
Overall String Width:	880mm
Nosing Style:	Half Round
Top Right Newel:	90mm x 90mm Pine
Bottom Right Newel:	90mm x 90mm Pine
Newel Type:	PSE Newel
Newel Material:	90mm x 90mm Pine
Raking Handrail Right:	Yes
Handrail Locations:	0,2,4
Landing Handrail Right:	Yes
Landing Handrail Right Length:	1500mm
Handrail Material:	Softwood
Spindle Style:	Stop Chamfered
Feature Tread:	bullnose right
Feature Tread Material:	22mm MDF Treads
Assembly:	Assembled
Est. Delivery Date:	from 26 Feb 21 to 03 Mar 21

Please note

- 1) Labour must NOT be booked until the staircase is delivered.
- 2) Your staircase will be put into production within 24 hrs of placing this order and will be produced according to this drawing.



Stair Type:	Double Staircase
Building Regulations:	UK
Number of Treads in Flight One:	2
Turn One Direction:	Right
Number of Treads in Turn One:	4
Number of Treads in Flight Two:	1
Turn Two Direction:	Right
Number of Treads in Turn Two:	4
Number of Treads in Flight Three:	1
Rise:	2600mm
Number of Risers:	13
Tread Type:	Closed tread construction
String Material:	32mm Redwood Pine (Furniture Grade)
Tread Material:	22mm MDF Treads
Riser Material:	9mm Ply Risers
Winder Tread Material:	22mm MDF Treads
Individual Rise:	200mm
Going:	222.12mm
Overall String Width:	880mm
Nosing Style:	Half Round
Top Right Newel:	90mm x 90mm Pine
Bottom Right Newel:	90mm x 90mm Pine
Newel Type:	PSE Newel
Newel Material:	90mm x 90mm Pine
Raking Handrail Right:	Yes
Handrail Locations:	0,2,4
Landing Handrail Right:	Yes

Landing Handrail Right Length:	1500mm
Handrail Material:	Softwood
Spindle Style:	Stop Chamfered
Feature Tread:	bullnose right
Feature Tread Material:	22mm MDF Treads
Assembly:	Assembled
Est. Delivery Date:	from 24 Feb 21 to 26 Feb 21

Please note

- 1) Labour must NOT be booked until the staircase is delivered.
- 2) Your staircase will be put into production within 24 hrs of placing this order and will be produced according to this drawing.