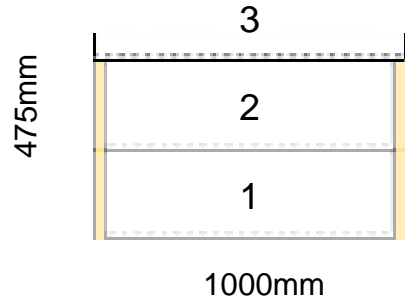


Stair Type:	Straight Staircase
Building Regulations:	UK
Rise:	630mm
Number of Risers:	3
Tread Type:	Closed tread construction
String Material:	32mm Redwood Pine (Furniture Grade)
Tread Material:	22mm MDF Treads
Riser Material:	9mm MDF Risers
Individual Rise:	210mm
Going:	233mm
Overall String Width:	1000mm
Nosing Style:	Half Round
Assembly:	Unassembled
Est. Delivery Date:	from 24 Feb 21 to 26 Feb 21
Reference:	Ref Poulter Stair 2

Please note

- 1) Labour must NOT be booked until the staircase is delivered.
- 2) Your staircase will be put into production within 24 hrs of placing this order and will be produced according to this drawing.

Stair Type:	Straight Staircase
Building Regulations:	UK
Rise:	630mm



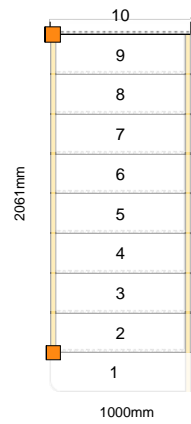
Number of Risers:	3
Tread Type:	Closed tread construction
String Material:	32mm Redwood Pine (Furniture Grade)
Tread Material:	22mm MDF Treads
Riser Material:	9mm MDF Risers
Individual Rise:	210mm
Going:	233mm
Overall String Width:	1000mm
Nosing Style:	Half Round
Assembly:	Unassembled
Est. Delivery Date:	from 24 Feb 21 to 26 Feb 21
Reference:	Ref Poulter Stair 3

Please note

- 1) Labour must NOT be booked until the staircase is delivered.
- 2) Your staircase will be put into production within 24 hrs of placing this order and will be produced according to this drawing.



Stair Type:	Straight Staircase
Building Regulations:	UK
Rise:	2100mm
Number of Risers:	10
Tread Type:	Closed tread construction
String Material:	32mm Redwood Pine (Furniture Grade)
Tread Material:	22mm MDF Treads
Riser Material:	9mm MDF Risers
Individual Rise:	210mm
Going:	228mm
Overall String Width:	1000mm
Nosing Style:	Half Round



Top Left Newel:	90mm x 90mm Engineered Oak
Bottom Left Newel:	90mm x 90mm Engineered Oak
Newel Type:	PSE Newel
Newel Material:	90mm x 90mm Engineered Oak
Feature Tread:	bullnose left
Feature Tread Material:	22mm MDF Treads
Assembly:	Assembled
Est. Delivery Date:	from 24 Feb 21 to 26 Feb 21
Reference:	Ref Poulter Stair 1

Please note

- 1) Labour must NOT be booked until the staircase is delivered.
- 2) Your staircase will be put into production within 24 hrs of placing this order and will be produced according to this drawing.