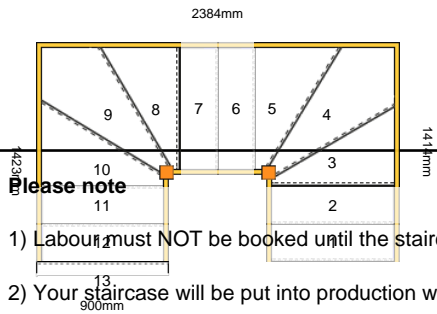


Stair Type:	Double Staircase
Building Regulations:	UK
Number of Treads in Flight One:	2
Turn One Direction:	Left
Number of Treads in Turn One:	3
Number of Treads in Flight Two:	2
Turn Two Direction:	Left
Number of Treads in Turn Two:	3
Number of Treads in Flight Three:	2
Rise:	2600mm
Number of Risers:	13
Tread Type:	Closed tread construction
String Material:	32mm Redwood Pine (Furniture Grade)
Tread Material:	22mm MDF Treads
Riser Material:	9mm MDF Risers
Winder Tread Material:	22mm MDF Treads
Individual Rise:	200mm
Going:	222.12mm
Overall String Width:	900mm
Nosing Style:	Half Round
Assembly:	Assembled
Est. Delivery Date:	from 04 Mar 21 to 08 Mar 21



- 1) Labour must NOT be booked until the staircase is delivered.
- 2) Your staircase will be put into production within 24 hrs of placing this order and will be produced according to this drawing.