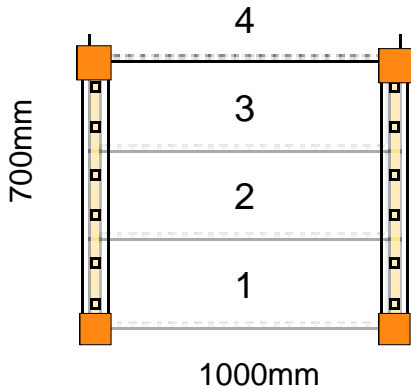


Stair Type:	Straight Staircase
Building Regulations:	UK
Rise:	1870mm
Number of Risers:	9
Tread Type:	Closed tread construction
String Material:	32mm Redwood Pine (Furniture Grade)
Tread Material:	22mm MDF Treads
Riser Material:	9mm MDF Risers
Individual Rise:	207.69mm
Going:	230.66mm
Overall String Width:	1000mm
Nosing Style:	Half Round
Top Left Newel:	90mm x 90mm Pine
Top Right Newel:	90mm x 90mm Pine
Bottom Left Newel:	90mm x 90mm Pine
Bottom Right Newel:	90mm x 90mm Pine
Newel Type:	PSE Newel
Newel Material:	90mm x 90mm Pine
Raking Handrail Left:	Yes
Raking Handrail Right:	Yes
Landing Handrail Left:	Yes
Landing Handrail Left Length:	3500mm
Landing Handrail Right:	Yes
Landing Handrail Right Length:	3500mm
Handrail Material:	Softwood
Spindle Style:	Stop Chamfered
Feature Tread:	c-curtail-curtail both
Feature Tread Material:	22mm MDF Treads
Assembly:	Assembled
Est. Delivery Date:	from 26 Feb 21 to 02 Mar 21
Reference:	Ground To First Section 1

Please note

1) Labour must NOT be booked until the staircase is delivered.

2) Your staircase will be put into production within 24 hrs of placing this order and will be produced according to this drawing.

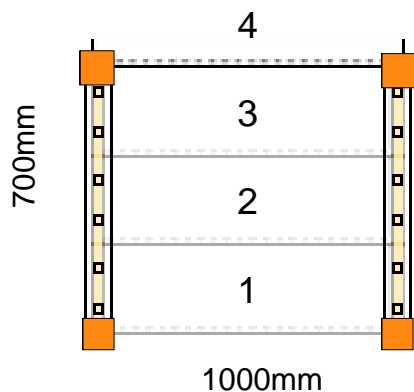


Stair Type:	Straight Staircase
Building Regulations:	UK
Rise:	830mm
Number of Risers:	4
Tread Type:	Closed tread construction
String Material:	32mm Redwood Pine (Furniture Grade)
Tread Material:	22mm MDF Treads
Riser Material:	9mm MDF Risers
Individual Rise:	207.69mm
Going:	230.66mm
Overall String Width:	1000mm
Nosing Style:	Half Round
Top Left Newel:	90mm x 90mm Pine
Top Right Newel:	90mm x 90mm Pine
Bottom Left Newel:	90mm x 90mm Pine
Bottom Right Newel:	90mm x 90mm Pine
Newel Type:	PSE Newel
Newel Material:	90mm x 90mm Pine
Raking Handrail Left:	Yes
Raking Handrail Right:	Yes
Landing Handrail Right:	Yes
Landing Handrail Right Length:	1500mm
Handrail Material:	Softwood
Spindle Style:	Stop Chamfered
Assembly:	Assembled
Est. Delivery Date:	from 26 Feb 21 to 02 Mar 21
Reference:	Ground To First Section 2

Please note

1) Labour must NOT be booked until the staircase is delivered.

2) Your staircase will be put into production within 24 hrs of placing this order and will be produced according to this drawing.

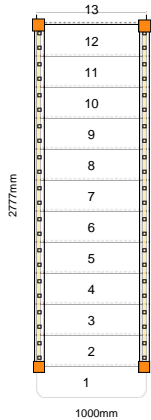


Stair Type:	Straight Staircase
Building Regulations:	UK
Rise:	830mm
Number of Risers:	4
Tread Type:	Closed tread construction
String Material:	32mm Redwood Pine (Furniture Grade)
Tread Material:	22mm MDF Treads
Riser Material:	9mm MDF Risers
Individual Rise:	207.69mm
Going:	230.66mm
Overall String Width:	1000mm
Nosing Style:	Half Round
Top Left Newel:	90mm x 90mm Pine
Top Right Newel:	90mm x 90mm Pine
Bottom Left Newel:	90mm x 90mm Pine
Bottom Right Newel:	90mm x 90mm Pine
Newel Type:	PSE Newel
Newel Material:	90mm x 90mm Pine
Raking Handrail Left:	Yes
Raking Handrail Right:	Yes
Handrail Material:	Softwood
Spindle Style:	Stop Chamfered
Assembly:	Assembled
Est. Delivery Date:	from 26 Feb 21 to 02 Mar 21
Reference:	Ground To First Section 3

Please note

1) Labour must NOT be booked until the staircase is delivered.

2) Your staircase will be put into production within 24 hrs of placing this order and will be produced according to this drawing.



Stair Type:	Straight Staircase
Building Regulations:	UK
Rise:	2700mm
Number of Risers:	13
Tread Type:	Closed tread construction
String Material:	32mm Redwood Pine (Furniture Grade)
Tread Material:	22mm MDF Treads
Riser Material:	9mm MDF Risers
Individual Rise:	207.68mm
Going:	230.65mm
Overall String Width:	1000mm
Nosing Style:	Half Round
Top Left Newel:	90mm x 90mm Pine
Top Right Newel:	90mm x 90mm Pine
Bottom Left Newel:	90mm x 90mm Pine
Bottom Right Newel:	90mm x 90mm Pine
Newel Type:	PSE Newel
Newel Material:	90mm x 90mm Pine
Raking Handrail Left:	Yes
Raking Handrail Right:	Yes
Landing Handrail Left:	Yes
Landing Handrail Left Length:	3500mm
Landing Handrail Right:	Yes
Landing Handrail Right Length:	3500mm
Handrail Material:	Softwood
Spindle Style:	Stop Chamfered
Feature Tread:	bullnose both
Feature Tread Material:	22mm MDF Treads
Assembly:	Assembled
Est. Delivery Date:	from 26 Feb 21 to 02 Mar 21
Reference:	First To Second

Please note

- 1) Labour must NOT be booked until the staircase is delivered.
- 2) Your staircase will be put into production within 24 hrs of placing this order and will be produced according to this drawing.