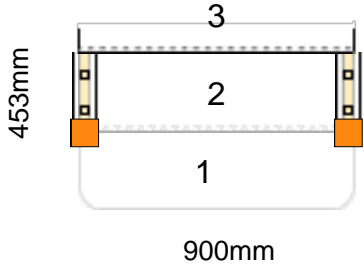


| | |
|-------------------------------|---|
| Stair Type: | Straight Staircase |
| Building Regulations: | UK |
| Rise: | 600mm |
| Number of Risers: | 3 |
| Tread Type: | Closed tread construction |
| String Material: | 32mm Redwood Pine (Furniture Grade) |
| Tread Material: | 22mm MDF Treads |
| Riser Material: | 9mm MDF Risers |
| Individual Rise: | 200mm |
| Going: | 222.12mm |
| Overall String Width: | 900mm |
| Nosing Style: | Half Round |
| Top Left Newel: | 90mm x 90mm Pine |
| Bottom Left Newel: | 90mm x 90mm Pine |
| Newel Type: | PSE Newel |
| Newel Material: | 90mm x 90mm Pine |
| Raking Handrail Left: | Yes |
| Landing Handrail Left: | Yes |
| Landing Handrail Left Length: | 1500mm |
| Handrail Material: | Softwood |
| Spindle Style: | Stop Chamfered |
| Assembly: | Assembled |
| Est. Delivery Date: | from 26 Feb 21 to 02 Mar 21 |
| Reference: | Apt 5 Stairs From First Floor landing To Entrance |

Please note

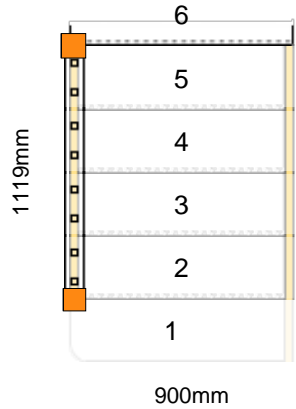
- 1) Labour must NOT be booked until the staircase is delivered.
- 2) Your staircase will be put into production within 24 hrs of placing this order and will be produced according to this drawing.



| | |
|-------------------------|-------------------------------------|
| Stair Type: | Straight Staircase |
| Building Regulations: | UK |
| Rise: | 600mm |
| Number of Risers: | 3 |
| Tread Type: | Closed tread construction |
| String Material: | 32mm Redwood Pine (Furniture Grade) |
| Tread Material: | 22mm MDF Treads |
| Riser Material: | 9mm MDF Risers |
| Individual Rise: | 200mm |
| Going: | 222.12mm |
| Overall String Width: | 900mm |
| Nosing Style: | Half Round |
| Bottom Left Newel: | 90mm x 90mm Pine |
| Bottom Right Newel: | 90mm x 90mm Pine |
| Newel Type: | PSE Newel |
| Newel Material: | 90mm x 90mm Pine |
| Raking Handrail Left: | Yes |
| Raking Handrail Right: | Yes |
| Handrail Material: | Softwood |
| Spindle Style: | Stop Chamfered |
| Feature Tread: | bullnose both |
| Feature Tread Material: | 22mm MDF Treads |
| Assembly: | Assembled |
| Est. Delivery Date: | from 26 Feb 21 to 02 Mar 21 |
| Reference: | Apt 5 Stairs To Balcony |

Please note

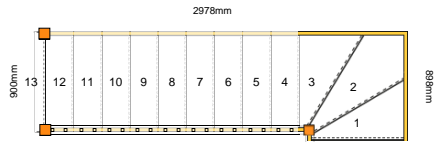
- 1) Labour must NOT be booked until the staircase is delivered.
- 2) Your staircase will be put into production within 24 hrs of placing this order and will be produced according to this drawing.



| | |
|-------------------------|-------------------------------------|
| Stair Type: | Straight Staircase |
| Building Regulations: | UK |
| Rise: | 1200mm |
| Number of Risers: | 6 |
| Tread Type: | Closed tread construction |
| String Material: | 32mm Redwood Pine (Furniture Grade) |
| Tread Material: | 22mm MDF Treads |
| Riser Material: | 9mm MDF Risers |
| Individual Rise: | 200mm |
| Going: | 222.12mm |
| Overall String Width: | 900mm |
| Nosing Style: | Half Round |
| Top Left Newel: | 90mm x 90mm Pine |
| Bottom Left Newel: | 90mm x 90mm Pine |
| Newel Type: | PSE Newel |
| Newel Material: | 90mm x 90mm Pine |
| Raking Handrail Left: | Yes |
| Handrail Material: | Softwood |
| Spindle Style: | Stop Chamfered |
| Feature Tread: | bullnose left |
| Feature Tread Material: | 22mm MDF Treads |
| Assembly: | Assembled |
| Est. Delivery Date: | from 26 Feb 21 to 02 Mar 21 |
| Reference: | Apt 6 Stairs To Bed 1 |

Please note

- 1) Labour must NOT be booked until the staircase is delivered.
- 2) Your staircase will be put into production within 24 hrs of placing this order and will be produced according to this drawing.

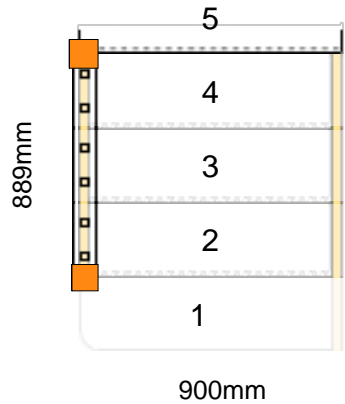


| | |
|---------------------------------|-------------------------------------|
| Stair Type: | Single Staircase |
| Building Regulations: | UK |
| Number of Treads in Flight One: | 0 |
| Turn One Direction: | Left |
| Number of Treads in Turn One: | 3 |
| Number of Treads in Flight Two: | 9 |
| Rise: | 2600mm |
| Number of Risers: | 13 |
| Tread Type: | Closed tread construction |
| String Material: | 32mm Redwood Pine (Furniture Grade) |
| Tread Material: | 22mm MDF Treads |
| Riser Material: | 9mm MDF Risers |
| Winder Tread Material: | 22mm MDF Treads |
| Individual Rise: | 200mm |
| Going: | 222.12mm |
| Overall String Width: | 900mm |
| Nosing Style: | Half Round |
| Top Left Newel: | 90mm x 90mm Pine |
| Top Right Newel: | 90mm x 90mm Pine |
| Newel Type: | PSE Newel |
| Newel Material: | 90mm x 90mm Pine |
| Raking Handrail Left: | Yes |
| Handrail Locations: | 1,3 |
| Landing Handrail Left: | Yes |
| Landing Handrail Left Length: | 3500mm |
| Landing Handrail Right: | Yes |
| Landing Handrail Right Length: | 3500mm |
| Handrail Material: | Softwood |
| Spindle Style: | Stop Chamfered |
| Assembly: | Assembled |
| Est. Delivery Date: | from 26 Feb 21 to 02 Mar 21 |
| Reference: | Apt 6 Stairs To Bed 2 |

Please note

1) Labour must NOT be booked until the staircase is delivered.

2) Your staircase will be put into production within 24 hrs of placing this order and will be produced according to this drawing.

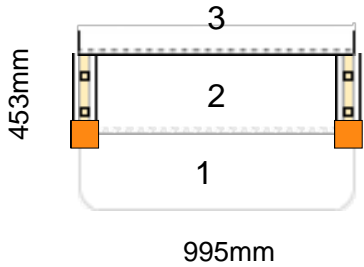


| | |
|-------------------------|-------------------------------------|
| Stair Type: | Straight Staircase |
| Building Regulations: | UK |
| Rise: | 900mm |
| Number of Risers: | 5 |
| Tread Type: | Closed tread construction |
| String Material: | 32mm Redwood Pine (Furniture Grade) |
| Tread Material: | 22mm MDF Treads |
| Riser Material: | 9mm MDF Risers |
| Individual Rise: | 180mm |
| Going: | 220mm |
| Overall String Width: | 900mm |
| Nosing Style: | Half Round |
| Top Left Newel: | 90mm x 90mm Pine |
| Bottom Left Newel: | 90mm x 90mm Pine |
| Newel Type: | PSE Newel |
| Newel Material: | 90mm x 90mm Pine |
| Raking Handrail Left: | Yes |
| Handrail Material: | Softwood |
| Spindle Style: | Stop Chamfered |
| Feature Tread: | bullnose left |
| Feature Tread Material: | 22mm MDF Treads |
| Assembly: | Assembled |
| Est. Delivery Date: | from 26 Feb 21 to 02 Mar 21 |
| Reference: | Apt 6 Stairs To Bathroom |

Please note

1) Labour must NOT be booked until the staircase is delivered.

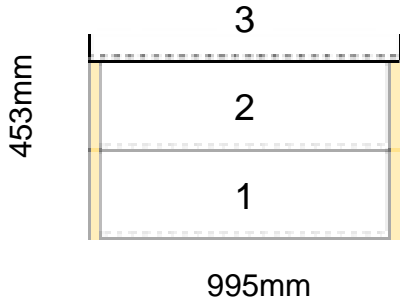
2) Your staircase will be put into production within 24 hrs of placing this order and will be produced according to this drawing.



| | |
|-------------------------|-------------------------------------|
| Stair Type: | Straight Staircase |
| Building Regulations: | UK |
| Rise: | 600mm |
| Number of Risers: | 3 |
| Tread Type: | Closed tread construction |
| String Material: | 32mm Redwood Pine (Furniture Grade) |
| Tread Material: | 22mm MDF Treads |
| Riser Material: | 9mm MDF Risers |
| Individual Rise: | 200mm |
| Going: | 222.12mm |
| Overall String Width: | 995mm |
| Nosing Style: | Half Round |
| Bottom Left Newel: | 90mm x 90mm Pine |
| Bottom Right Newel: | 90mm x 90mm Pine |
| Newel Type: | PSE Newel |
| Newel Material: | 90mm x 90mm Pine |
| Raking Handrail Left: | Yes |
| Raking Handrail Right: | Yes |
| Handrail Material: | Softwood |
| Spindle Style: | Stop Chamfered |
| Feature Tread: | bullnose both |
| Feature Tread Material: | 22mm MDF Treads |
| Assembly: | Assembled |
| Est. Delivery Date: | from 26 Feb 21 to 02 Mar 21 |
| Reference: | Apt 7 Stairs In Bed 1 |

Please note

- 1) Labour must NOT be booked until the staircase is delivered.
- 2) Your staircase will be put into production within 24 hrs of placing this order and will be produced according to this drawing.

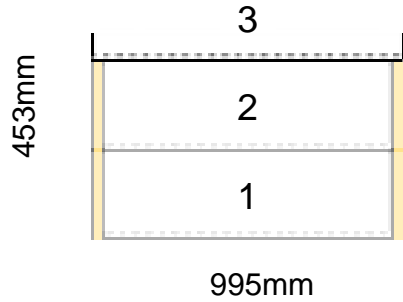


| | |
|-----------------------|-------------------------------------|
| Stair Type: | Straight Staircase |
| Building Regulations: | UK |
| Rise: | 600mm |
| Number of Risers: | 3 |
| Tread Type: | Closed tread construction |
| String Material: | 32mm Redwood Pine (Furniture Grade) |
| Tread Material: | 22mm MDF Treads |
| Riser Material: | 9mm MDF Risers |
| Individual Rise: | 200mm |
| Going: | 222.12mm |
| Overall String Width: | 995mm |
| Nosing Style: | Half Round |
| Assembly: | Assembled |
| Est. Delivery Date: | from 26 Feb 21 to 02 Mar 21 |
| Reference: | Apt 7 Stairs In Corridoe |

Please note

- 1) Labour must NOT be booked until the staircase is delivered.
- 2) Your staircase will be put into production within 24 hrs of placing this order and will be produced according to this drawing.

| | |
|-----------------------|--------------------|
| Stair Type: | Straight Staircase |
| Building Regulations: | UK |
| Rise: | 600mm |



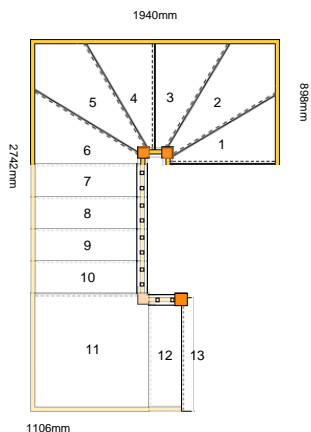
| | |
|-----------------------|-------------------------------------|
| Number of Risers: | 3 |
| Tread Type: | Closed tread construction |
| String Material: | 32mm Redwood Pine (Furniture Grade) |
| Tread Material: | 22mm MDF Treads |
| Riser Material: | 9mm MDF Risers |
| Individual Rise: | 200mm |
| Going: | 222.12mm |
| Overall String Width: | 995mm |
| Nosing Style: | Half Round |
| Assembly: | Assembled |
| Est. Delivery Date: | from 26 Feb 21 to 02 Mar 21 |
| Reference: | Apt 7 Stairs In Living Room |

Please note

- 1) Labour must NOT be booked until the staircase is delivered.
- 2) Your staircase will be put into production within 24 hrs of placing this order and will be produced according to this drawing.



| | |
|-----------------------------------|------------------|
| Stair Type: | Triple Staircase |
| Building Regulations: | UK |
| Direction Turn One : | Left |
| Direction Turn Two: | Left |
| Direction Turn Three: | Left |
| Number of Treads in Flight One: | 0 |
| Number of Treads in Turn One: | 3 |
| Number of Treads in Flight Two: | 0 |
| Number of Treads in Turn Two: | 3 |
| Number of Treads in Flight Three: | 4 |
| Number of Treads in Turn Three: | 1 |
| Number of Treads in Flight Four: | 1 |



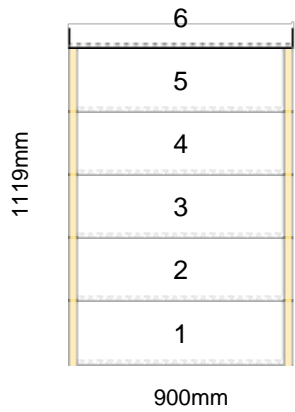
| | |
|------------------------|-------------------------------------|
| Rise: | 2600mm |
| Number of Risers: | 13 |
| Tread Type: | Closed tread construction |
| String Material: | 32mm Redwood Pine (Furniture Grade) |
| Tread Material: | 22mm MDF Treads |
| Riser Material: | 9mm MDF Risers |
| Winder Tread Material: | 22mm MDF Treads |
| Individual Rise: | 200mm |
| Going: | 222.12mm |
| Overall String Width: | 900mm |
| Nosing Style: | Half Round |
| Top Left Newel: | 90mm x 90mm Pine |
| Newel Type: | PSE Newel |
| Newel Material: | 90mm x 90mm Pine |
| Raking Handrail Left: | Yes |
| Handrail Locations: | 1,3,5,7 |
| Handrail Material: | Softwood |
| Spindle Style: | Stop Chamfered |
| Assembly: | Assembled |
| Est. Delivery Date: | from 26 Feb 21 to 02 Mar 21 |
| Reference: | Apt 8 Entrance Stairs |

Please note

- 1) Labour must NOT be booked until the staircase is delivered.
- 2) Your staircase will be put into production within 24 hrs of placing this order and will be produced according to this drawing.



| | |
|-----------------------|-------------------------------------|
| Stair Type: | Straight Staircase |
| Building Regulations: | UK |
| Rise: | 1200mm |
| Number of Risers: | 6 |
| Tread Type: | Closed tread construction |
| String Material: | 32mm Redwood Pine (Furniture Grade) |



| | |
|-----------------------|------------------------------|
| Tread Material: | 22mm MDF Treads |
| Riser Material: | 9mm MDF Risers |
| Individual Rise: | 200mm |
| Going: | 222.12mm |
| Overall String Width: | 900mm |
| Nosing Style: | Half Round |
| Assembly: | Assembled |
| Est. Delivery Date: | from 26 Feb 21 to 02 Mar 21 |
| Reference: | Apt 8 Stairs To Roof Terrace |

Please note

- 1) Labour must NOT be booked until the staircase is delivered.
- 2) Your staircase will be put into production within 24 hrs of placing this order and will be produced according to this drawing.