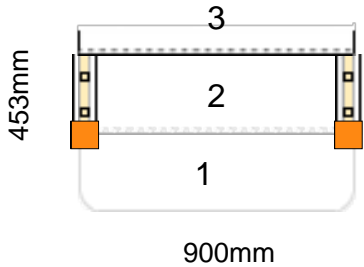


Stair Type:	Straight Staircase
Building Regulations:	UK
Rise:	600mm
Number of Risers:	3
Tread Type:	Closed tread construction
String Material:	32mm Redwood Pine (Furniture Grade)
Tread Material:	22mm MDF Treads
Riser Material:	9mm MDF Risers
Individual Rise:	200mm
Going:	222.12mm
Overall String Width:	900mm
Nosing Style:	Half Round
Top Left Newel:	90mm x 90mm Pine
Bottom Left Newel:	90mm x 90mm Pine
Newel Type:	PSE Newel
Newel Material:	90mm x 90mm Pine
Raking Handrail Left:	Yes
Landing Handrail Left:	Yes
Landing Handrail Left Length:	1500mm
Handrail Material:	Softwood
Spindle Style:	Stop Chamfered
Assembly:	Assembled
Est. Delivery Date:	from 05 Mar 21 to 09 Mar 21
Reference:	Apt 5 Stairs From First Floor landing To Entrance

Please note

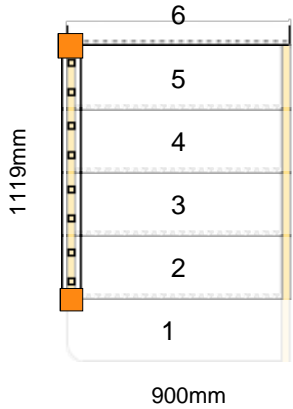
- 1) Labour must NOT be booked until the staircase is delivered.
- 2) Your staircase will be put into production within 24 hrs of placing this order and will be produced according to this drawing.



Stair Type:	Straight Staircase
Building Regulations:	UK
Rise:	600mm
Number of Risers:	3
Tread Type:	Closed tread construction
String Material:	32mm Redwood Pine (Furniture Grade)
Tread Material:	22mm MDF Treads
Riser Material:	9mm MDF Risers
Individual Rise:	200mm
Going:	222.12mm
Overall String Width:	900mm
Nosing Style:	Half Round
Bottom Left Newel:	90mm x 90mm Pine
Bottom Right Newel:	90mm x 90mm Pine
Newel Type:	PSE Newel
Newel Material:	90mm x 90mm Pine
Raking Handrail Left:	Yes
Raking Handrail Right:	Yes
Handrail Material:	Softwood
Spindle Style:	Stop Chamfered
Feature Tread:	bullnose both
Feature Tread Material:	22mm MDF Treads
Assembly:	Assembled
Est. Delivery Date:	from 05 Mar 21 to 09 Mar 21
Reference:	Apt 5 Stairs To Balcony

Please note

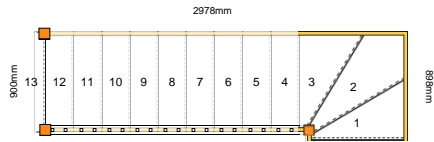
- 1) Labour must NOT be booked until the staircase is delivered.
- 2) Your staircase will be put into production within 24 hrs of placing this order and will be produced according to this drawing.



Stair Type:	Straight Staircase
Building Regulations:	UK
Rise:	1200mm
Number of Risers:	6
Tread Type:	Closed tread construction
String Material:	32mm Redwood Pine (Furniture Grade)
Tread Material:	22mm MDF Treads
Riser Material:	9mm MDF Risers
Individual Rise:	200mm
Going:	222.12mm
Overall String Width:	900mm
Nosing Style:	Half Round
Top Left Newel:	90mm x 90mm Pine
Bottom Left Newel:	90mm x 90mm Pine
Newel Type:	PSE Newel
Newel Material:	90mm x 90mm Pine
Raking Handrail Left:	Yes
Handrail Material:	Softwood
Spindle Style:	Stop Chamfered
Feature Tread:	bullnose left
Feature Tread Material:	22mm MDF Treads
Assembly:	Assembled
Est. Delivery Date:	from 05 Mar 21 to 09 Mar 21
Reference:	Apt 6 Stairs To Bed 1

Please note

- 1) Labour must NOT be booked until the staircase is delivered.
- 2) Your staircase will be put into production within 24 hrs of placing this order and will be produced according to this drawing.

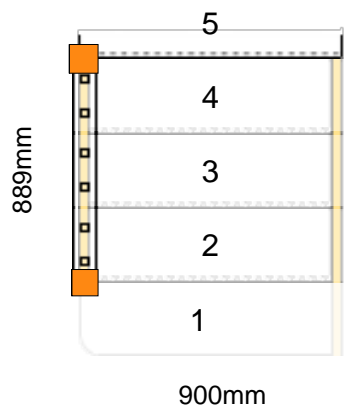


Stair Type:	Single Staircase
Building Regulations:	UK
Number of Treads in Flight One:	0
Turn One Direction:	Left
Number of Treads in Turn One:	3
Number of Treads in Flight Two:	9
Rise:	2600mm
Number of Risers:	13
Tread Type:	Closed tread construction
String Material:	32mm Redwood Pine (Furniture Grade)
Tread Material:	22mm MDF Treads
Riser Material:	9mm MDF Risers
Winder Tread Material:	22mm MDF Treads
Individual Rise:	200mm
Going:	222.12mm
Overall String Width:	900mm
Nosing Style:	Half Round
Top Left Newel:	90mm x 90mm Pine
Top Right Newel:	90mm x 90mm Pine
Newel Type:	PSE Newel
Newel Material:	90mm x 90mm Pine
Raking Handrail Left:	Yes
Handrail Locations:	1,3
Landing Handrail Left:	Yes
Landing Handrail Left Length:	3500mm
Landing Handrail Right:	Yes
Landing Handrail Right Length:	3500mm
Handrail Material:	Softwood
Spindle Style:	Stop Chamfered
Assembly:	Assembled
Est. Delivery Date:	from 05 Mar 21 to 09 Mar 21
Reference:	Apt 6 Stairs To Bed 2

Please note

1) Labour must NOT be booked until the staircase is delivered.

2) Your staircase will be put into production within 24 hrs of placing this order and will be produced according to this drawing.

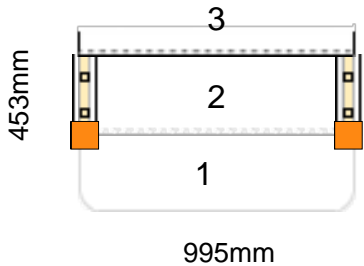


Stair Type:	Straight Staircase
Building Regulations:	UK
Rise:	900mm
Number of Risers:	5
Tread Type:	Closed tread construction
String Material:	32mm Redwood Pine (Furniture Grade)
Tread Material:	22mm MDF Treads
Riser Material:	9mm MDF Risers
Individual Rise:	180mm
Going:	220mm
Overall String Width:	900mm
Nosing Style:	Half Round
Top Left Newel:	90mm x 90mm Pine
Bottom Left Newel:	90mm x 90mm Pine
Newel Type:	PSE Newel
Newel Material:	90mm x 90mm Pine
Raking Handrail Left:	Yes
Handrail Material:	Softwood
Spindle Style:	Stop Chamfered
Feature Tread:	bullnose left
Feature Tread Material:	22mm MDF Treads
Assembly:	Assembled
Est. Delivery Date:	from 05 Mar 21 to 09 Mar 21
Reference:	Apt 6 Stairs To Bathroom

Please note

1) Labour must NOT be booked until the staircase is delivered.

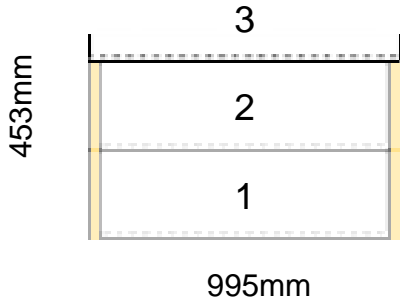
2) Your staircase will be put into production within 24 hrs of placing this order and will be produced according to this drawing.



Stair Type:	Straight Staircase
Building Regulations:	UK
Rise:	600mm
Number of Risers:	3
Tread Type:	Closed tread construction
String Material:	32mm Redwood Pine (Furniture Grade)
Tread Material:	22mm MDF Treads
Riser Material:	9mm MDF Risers
Individual Rise:	200mm
Going:	222.12mm
Overall String Width:	995mm
Nosing Style:	Half Round
Bottom Left Newel:	90mm x 90mm Pine
Bottom Right Newel:	90mm x 90mm Pine
Newel Type:	PSE Newel
Newel Material:	90mm x 90mm Pine
Raking Handrail Left:	Yes
Raking Handrail Right:	Yes
Handrail Material:	Softwood
Spindle Style:	Stop Chamfered
Feature Tread:	bullnose both
Feature Tread Material:	22mm MDF Treads
Assembly:	Assembled
Est. Delivery Date:	from 05 Mar 21 to 09 Mar 21
Reference:	Apt 7 Stairs In Bed 1

Please note

- 1) Labour must NOT be booked until the staircase is delivered.
- 2) Your staircase will be put into production within 24 hrs of placing this order and will be produced according to this drawing.

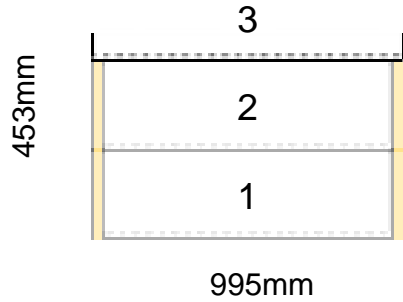


Stair Type:	Straight Staircase
Building Regulations:	UK
Rise:	600mm
Number of Risers:	3
Tread Type:	Closed tread construction
String Material:	32mm Redwood Pine (Furniture Grade)
Tread Material:	22mm MDF Treads
Riser Material:	9mm MDF Risers
Individual Rise:	200mm
Going:	222.12mm
Overall String Width:	995mm
Nosing Style:	Half Round
Assembly:	Assembled
Est. Delivery Date:	from 05 Mar 21 to 09 Mar 21
Reference:	Apt 7 Stairs In Corridoe

Please note

- 1) Labour must NOT be booked until the staircase is delivered.
- 2) Your staircase will be put into production within 24 hrs of placing this order and will be produced according to this drawing.

Stair Type:	Straight Staircase
Building Regulations:	UK
Rise:	600mm



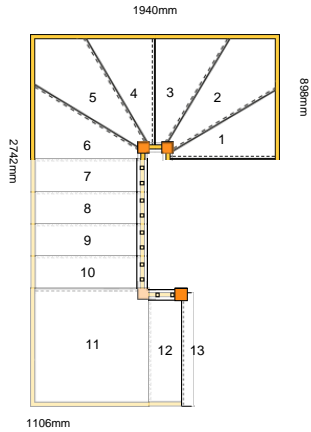
Number of Risers:	3
Tread Type:	Closed tread construction
String Material:	32mm Redwood Pine (Furniture Grade)
Tread Material:	22mm MDF Treads
Riser Material:	9mm MDF Risers
Individual Rise:	200mm
Going:	222.12mm
Overall String Width:	995mm
Nosing Style:	Half Round
Assembly:	Assembled
Est. Delivery Date:	from 05 Mar 21 to 09 Mar 21
Reference:	Apt 7 Stairs In Living Room

Please note

- 1) Labour must NOT be booked until the staircase is delivered.
- 2) Your staircase will be put into production within 24 hrs of placing this order and will be produced according to this drawing.



Stair Type:	Triple Staircase
Building Regulations:	UK
Direction Turn One :	Left
Direction Turn Two:	Left
Direction Turn Three:	Left
Number of Treads in Flight One:	0
Number of Treads in Turn One:	3
Number of Treads in Flight Two:	0
Number of Treads in Turn Two:	3
Number of Treads in Flight Three:	4
Number of Treads in Turn Three:	1
Number of Treads in Flight Four:	1



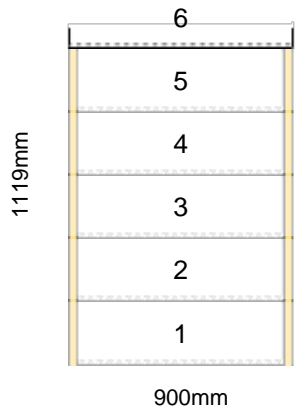
Rise:	2600mm
Number of Risers:	13
Tread Type:	Closed tread construction
String Material:	32mm Redwood Pine (Furniture Grade)
Tread Material:	22mm MDF Treads
Riser Material:	9mm MDF Risers
Winder Tread Material:	22mm MDF Treads
Individual Rise:	200mm
Going:	222.12mm
Overall String Width:	900mm
Nosing Style:	Half Round
Top Left Newel:	90mm x 90mm Pine
Newel Type:	PSE Newel
Newel Material:	90mm x 90mm Pine
Raking Handrail Left:	Yes
Handrail Locations:	1,3,5,7
Handrail Material:	Softwood
Spindle Style:	Stop Chamfered
Assembly:	Assembled
Est. Delivery Date:	from 05 Mar 21 to 09 Mar 21
Reference:	Apt 8 Entrance Stairs

Please note

- 1) Labour must NOT be booked until the staircase is delivered.
- 2) Your staircase will be put into production within 24 hrs of placing this order and will be produced according to this drawing.



Stair Type:	Straight Staircase
Building Regulations:	UK
Rise:	1200mm
Number of Risers:	6
Tread Type:	Closed tread construction
String Material:	32mm Redwood Pine (Furniture Grade)



Tread Material:	22mm MDF Treads
Riser Material:	9mm MDF Risers
Individual Rise:	200mm
Going:	222.12mm
Overall String Width:	900mm
Nosing Style:	Half Round
Assembly:	Assembled
Est. Delivery Date:	from 05 Mar 21 to 09 Mar 21
Reference:	Apt 8 Stairs To Roof Terrace

Please note

- 1) Labour must NOT be booked until the staircase is delivered.
- 2) Your staircase will be put into production within 24 hrs of placing this order and will be produced according to this drawing.